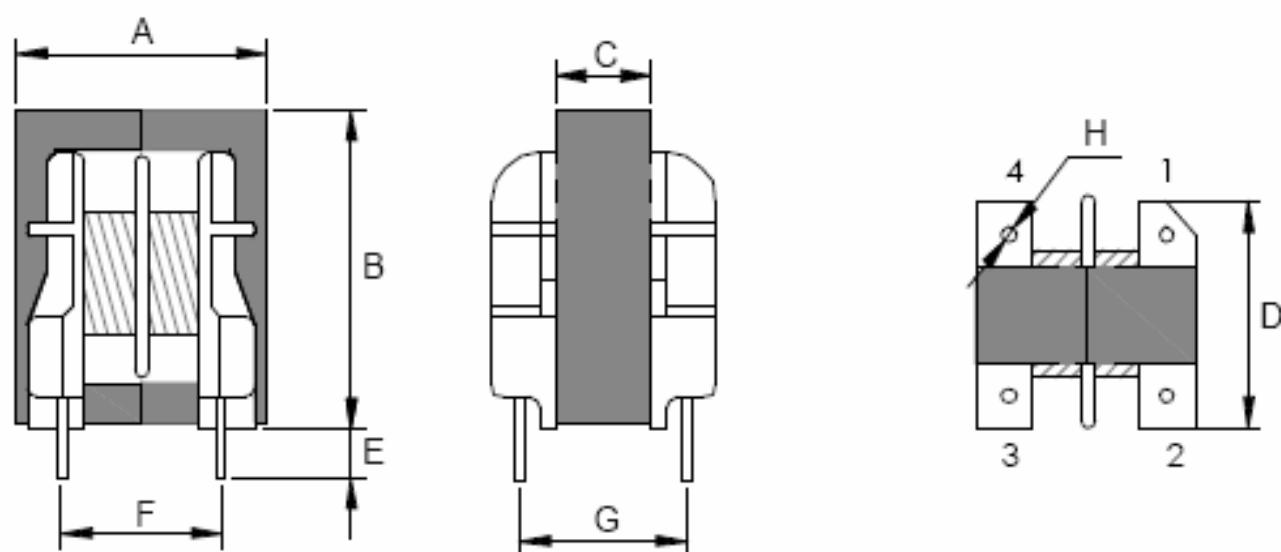


E 25 - FILTRO VERTICAL



TOLERÂNCIA:  $\pm 0,5\text{mm}$ .

AL:  $2800\text{mH} +30 / -20\%$

ÁREA ÚTIL DA JANELA:  $2 \times 13,5\text{mm}^2$

CARRETEL	A	B	C	D	E	F	G	H
E 25 Filtro	20,0	25,8	6,0	20,0	4,0	15,0	14,0	0,8