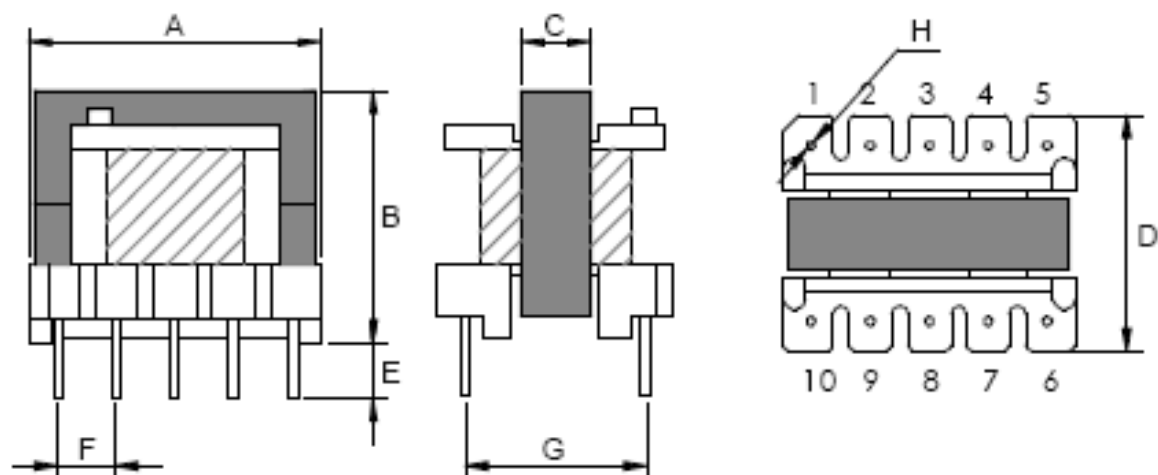


E 25A - 10 pinos



TOLERÂNCIA:  $\pm 0,5\text{mm}$ .

AL:  $2800\text{nH} +30 / -20\%$

ÁREA ÚTIL DA JANELA:  $29,0\text{mm}^2$

CARRETEL	A	B	C	D	E	F	G	H
E 25 - 10 pinos	25,7	21,0	6,0	20,6	5,0	5,0	15,2	0,8